

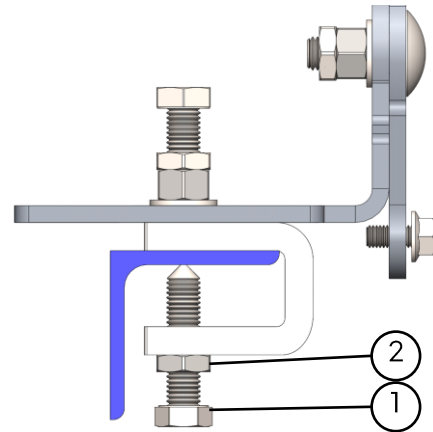
Work instruction


T240 Tilttable mount

1 Installation

Install the Joint closure mount where the T240 will be installed. Tighten:

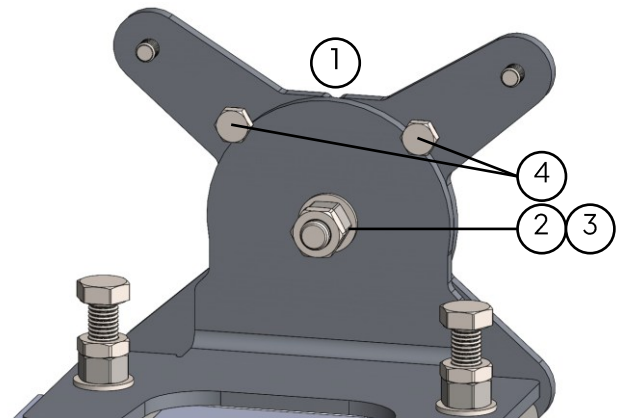
1. The clamp screws according to the clamp marking (15 Nm)
2. The counter nuts 57 Nm.




 See "Alternative positions" below.

Rotate the plate with the notch [1] upwards. Then tighten:

2. The M12 center nut 57 Nm.
3. The M12 counter nut 57 Nm.
4. The M8 locking screws 17 Nm.

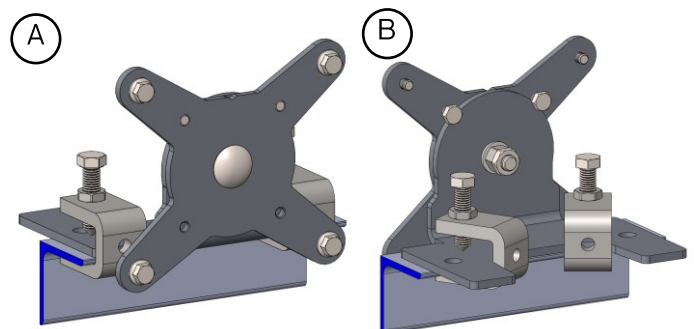


 You might need to move one of the M8 locking screws to another hole depending on the angle of the beam.

2 Alternative positions

The Joint closure mount can also be installed by clamping the bottom plate directly to the tower beam, either from:

- A. The front
- B. The back





Tykoflex AB
Radiovägen 29
135 26 Tyresö
Sweden

Tel: +46 (0)8 505 949 00
www.tykoflex.com
info@tykoflex.se

The information is provided "as is" and may change without notice. Tykoflex is not liable for damages resulting from improper use or deviation from these instructions. In case of conflict, the product safety instructions and applicable standards prevail.