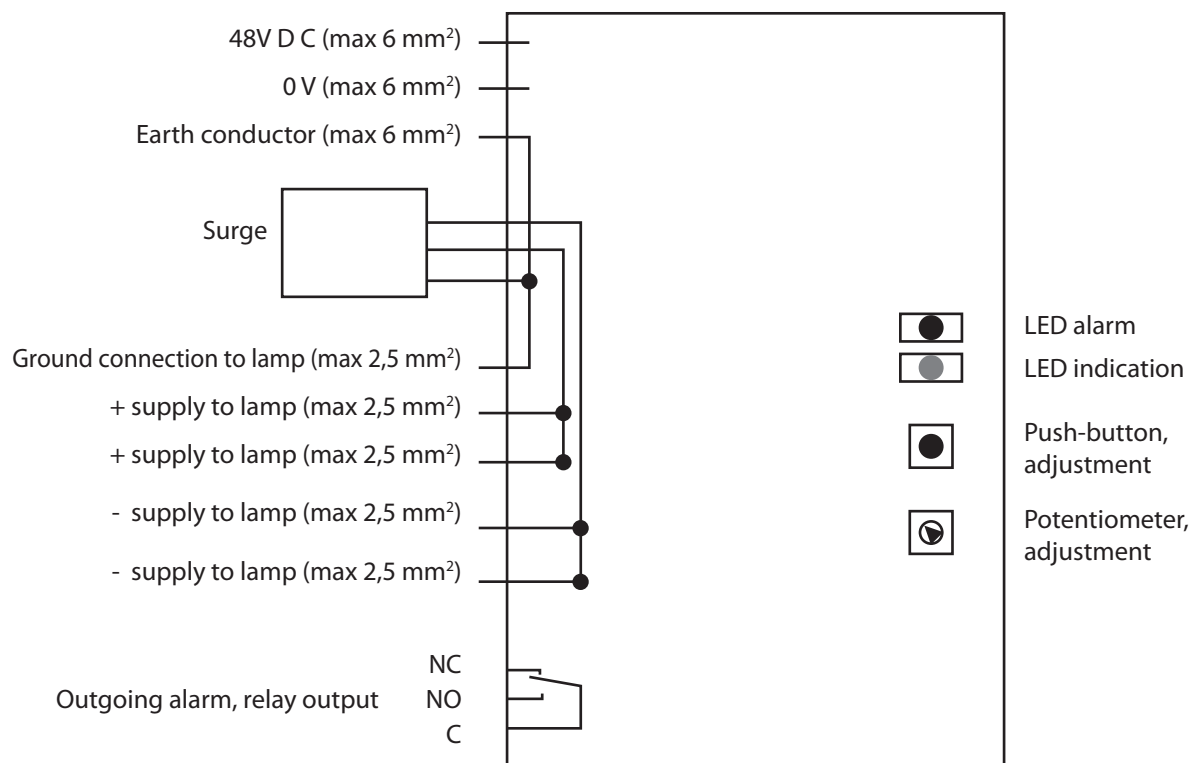


# Alarm unit – 48V obstruction light



## Function

The unit measures the current in the conductors up to the lamps. If the current falls below the alarm level for a certain time, the alarm is activated. The alarm output and red LED are activated. The alarm disappears automatically if the current rises above the alarm level.

## Alarm level setting

Set the alarm level when the lamps are operating normally and are fed normally. Press the push-button to confirm this normal position. The green LED flashes three times to indicate that the normal mode has been saved. With the potentiometer set the alarm limit. From 70-95% of normal mode.

## Feed:

The unit operates between 38 to 60 V

## Inputs:

48 V de, max 6 mm<sup>2</sup>, max 6 mm<sup>2</sup>  
Earth conductor max 6 mm<sup>2</sup>

## Outputs:

Ground connection for cable shield max 2.5 mm<sup>2</sup> + supply to lamp max 2.5 mm<sup>2</sup>  
+ feed to the lamp max 2.5 mm<sup>2</sup>  
- feed to the lamp max 2.5 mm<sup>2</sup>  
- feed to the lamp max 2.5 mm<sup>2</sup>  
Potential-free alarm output, NC, NO

**Surge protection:** Connected between the output light and ground outputs

**Red LED:** Indicates alarm

**Green LED:** Indicates that the card is alive and flashing when setting the default level.

**Pushbutton:** To confirm the default level

**Potentiometer:** To set the alarm level

## Item number:

11 991 312

